

Rockwell service letter

No. SL-AG-52

International

P.O. BOX 3090 ALBANY, GEORGIA 31706-3090 PHONE 229/883-1440 FAX 229/439-9790

Service Letter No. SL-AG-52
February 1, 1969

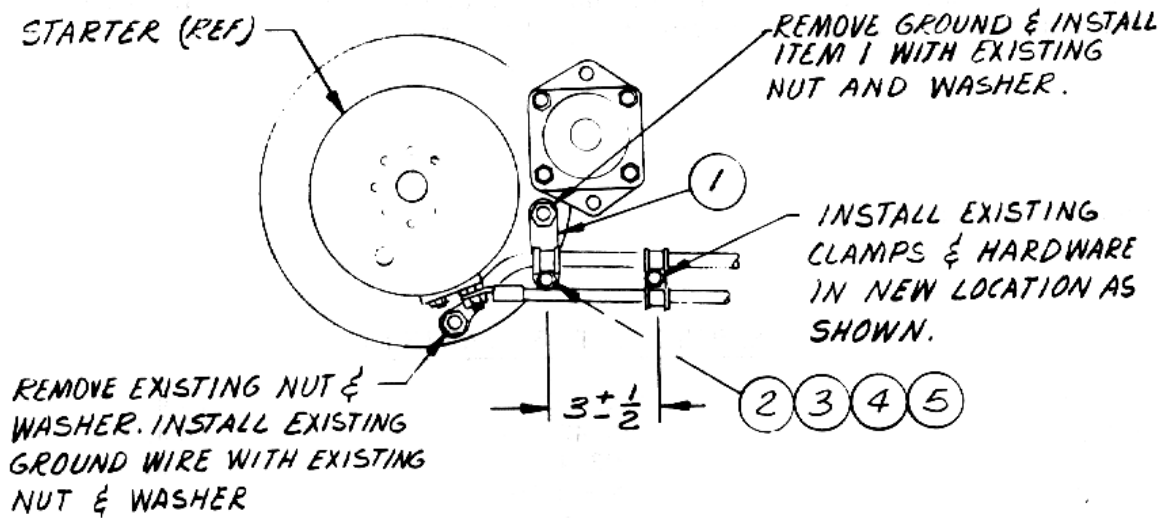
STARTER GROUND WIRE BRACING

APPLICABILITY: ALL S-2R Aircraft, Serial Number 1416R through 1460R.

There have been several reports of failure of the electrical cable terminals which attach to the starter. This problem can be corrected by adding support clamps as shown on Sheet 2. It is recommended that the electrical cables be braced as shown to preclude the possibility of failure.

SERVICE KIT #52 PART LIST

Bracket	90292-1	1 ea.
Clamp	AN742-DG5	1 ea.
Bolt	AN3-4A	1 ea.
Washer	AN960-10	1 ea.
Nut	AN365-1032	1 ea.



GROUND WIRE BRACE INSTALLATION
AFT VIEW OF ENGINE